



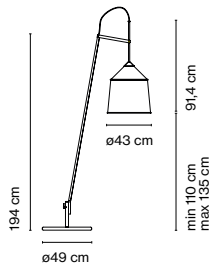
Jaima

Joan Gaspar

marset



Jaima P207 + Shade 43



Jaima P207 + Shade 43

☉ E27 LED Globe (ø120) 22W

Shade made of textielene with the inner part always in white. Stainless steel structure in lacquered grey.

Jaima P307 + Shade 54

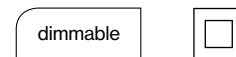
☉ E27 LED Globe (ø120) 22W

- Blue
- Beige
- Grey
- Green

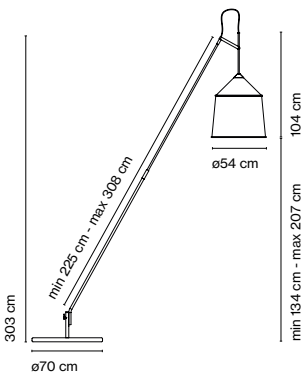
Jaima P307 + Shade 71

☉ E27 LED Globe (ø120) 22W

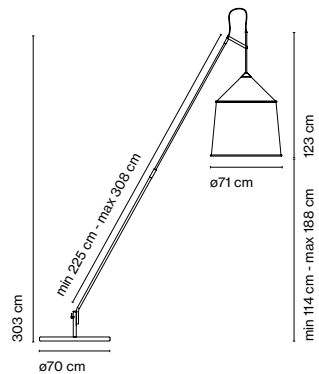
Black electrical cord



Jaima P307 + Shade 54



Jaima P307 + Shade 71

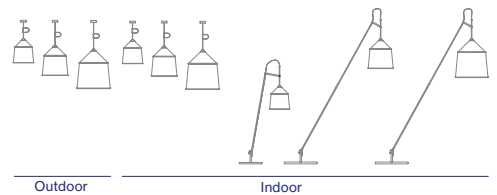


Watch the video

info@marset.com
www.marset.com

- [Download](#) Assembly instructions
- [Download](#) 2D
- [Download](#) 3D
- [Download](#) Energy label

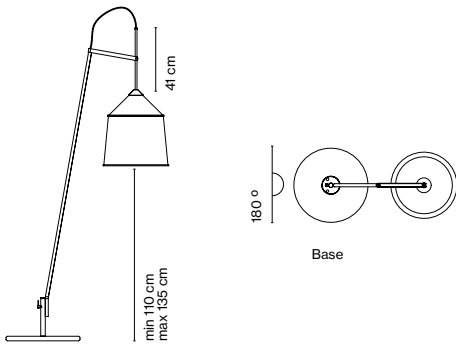
Collection



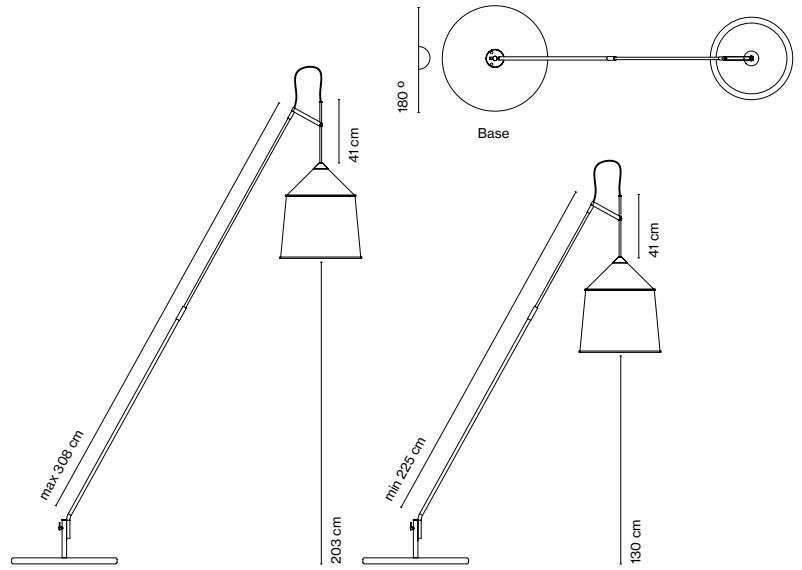
Through the language of textiles, Joan Gaspar has designed a light of flexible, ductile materials that sifts the light as readily as it moves with the wind. In the Jaima collection, the light is the shade and weaver of emotions.

Range of positions

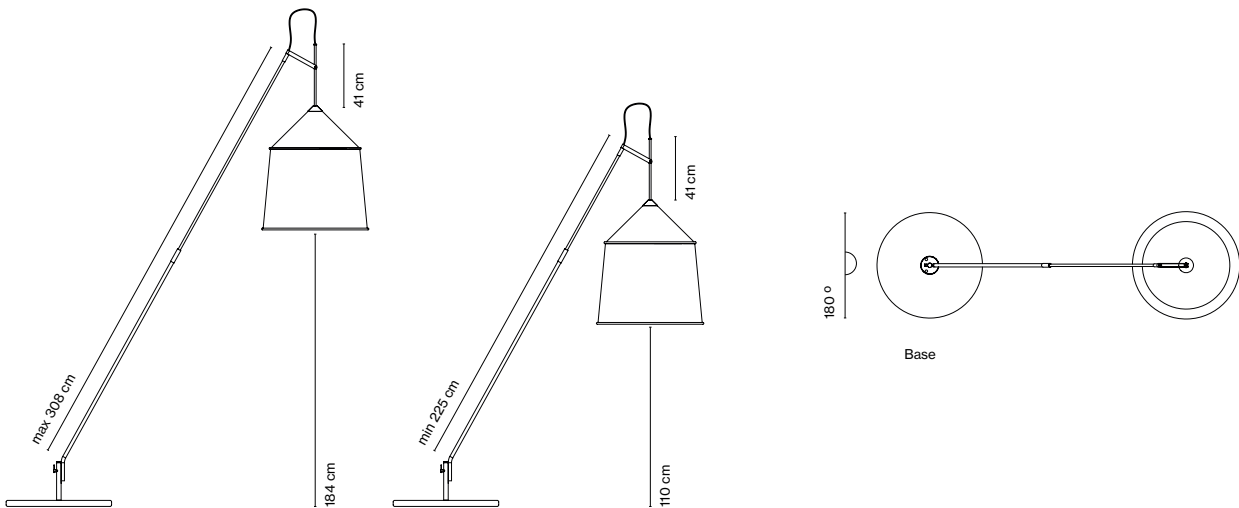
Jaima P207 with shade 43



Jaima P307 extensible with shade 54



Jaima P307 extensible with shade 71



Base



Floor support



Wall bracket



Shade finishes