

TUBES 1 WALL

Charles Kalpakian

Family of suspension, wall and ceiling lamps, made with tubular elements for objects with a strong and essential design that is expressed through pure forms.

The wall versions are in extruded aluminum rotatable and adjustable and are also available with push dimmer installed directly on the lamp (Tubes 1/2).

In the ceiling version the ceiling element rotates 340 °, while the other cylinder can be rotated by 90 °.

Available in different color versions, monoton or with two matching colors.

Opal plexiglass diffusers.



PUSH ON BOARD

LAMPING

| | |
|-------------------|------------------------------------|
| Source | LED board |
| Total power | 5,5W |
| Emission | orientable, spot |
| Switching | dimmable push on board |
| Tension | 230V |
| Color temperature | 2700K |
| Luminous flux | 135lm |
| Typ cri | 80 |
| Materials | aluminium |
| Notes | orientable, also available in 120V |

Codes

TTB LWW 34
TTB LWC 34
TTB LNN 34

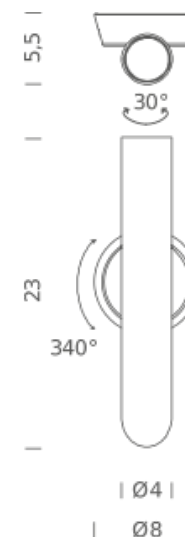
Structure

white/white
white/copper
black/black

PACKAGE

Package 01 Dimension: 14x31x11 cm / Gross weight: 0,47 kg

Certificazioni



TRIAC

LAMPING

| | |
|-------------------|---|
| Source | LED board |
| Total power | 5,5W |
| Emission | orientable, spot |
| Switching | dimmable TRIAC |
| Tension | 230V |
| Color temperature | 2700K |
| Luminous flux | 135lm |
| Typ cri | 80 |
| Materials | aluminium |
| Notes | orientable, also available in 120V. Suggested dimmer: TECNEL TE7636 (dimming range: from ~45% to 100%) |
| Net lamp weight | 0,35 kg |

Codes

TTB LWW 31
TTB LWC 31
TTB LNN 31

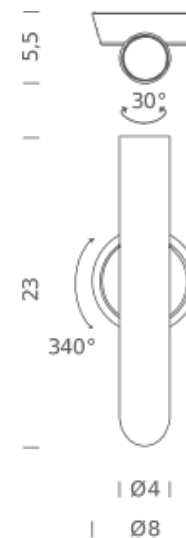
Structure

white/white
white/copper
black/black

PACKAGE

Package 01 Dimension: 14x31x11 cm / Gross weight: 0,47 kg

Certificazioni



TUBES 2 WALL

Charles Kalpakian

Family of suspension, wall and ceiling lamps, made with tubular elements for objects with a strong and essential design that is expressed through pure forms.

The wall versions are in extruded aluminum rotatable and adjustable and are also available with push dimmer installed directly on the lamp (Tubes 1/2).

In the ceiling version the ceiling element rotates 340 °, while the other cylinder can be rotated by 90 °.

Available in different color versions, monoton or with two matching colors.

Opal plexiglass diffusers.



TRIAC

LAMPING

| | |
|-------------------|--|
| Source | LED board |
| Total power | 2x5,5W |
| Emission | double orientable, spot |
| Switching | dimmable TRIAC |
| Tension | 230V |
| Color temperature | 2700K |
| Luminous flux | 2x135lm |
| Typ cri | 80 |
| Energy class | A+ |
| Materials | aluminium |
| Notes | orientable on three axes, also available in 120V. Suggested dimmer: TECNEL TE7636 (dimming range: from ~45% to 100%) |
| Net lamp weight | 0,35 kg |

Codes

TTB LWW 32
TTB LWC 32
TTB LNN 32

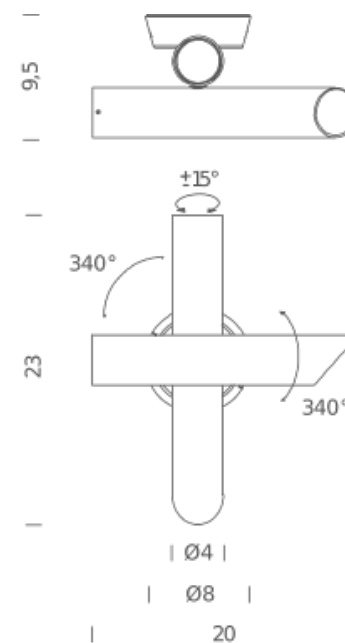
Structure

white/white
white/copper
black/black

PACKAGE

Package 01 Dimension: 14x31x11 cm / Gross weight: 0,47 kg

Certificazioni



PUSH ON BOARD

LAMPING

| | |
|-------------------|---|
| Source | LED board |
| Total power | 2x5,5W |
| Emission | double orientable, spot |
| Switching | dimmable push on board |
| Tension | 230V |
| Color temperature | 2700K |
| Luminous flux | 2x135lm |
| Typ cri | 80 |
| Energy class | A+ |
| Materials | aluminium |
| Notes | orientable on three axes, also available in 120V. |

Codes

TTB LWW 33
TTB LWC 33
TTB LNN 33

Structure

white/white
white/copper
black/black

PACKAGE

Package 01 Dimension: 14x31x11 cm / Gross weight: 0,47 kg

Certificazioni

