

# BAI T CHANDELIER II

by Neri&Hu, 2014

Suspension lamp. Structure and canopy in bronze electroplated steel. Diffuser in blown transparent, amber and grey glass. Strip led column and dimmable driver included.

Type: Suspension lamp

Environment: Indoor

Structure: Steel

Diffuser: Glass

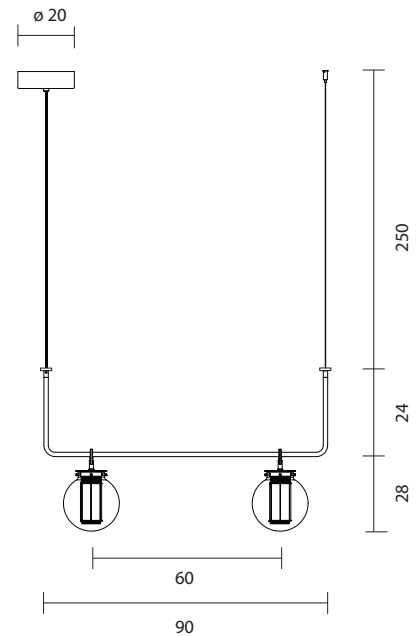
Voltage: 230 V

Supply: Terminal strip

Dimmable driver included

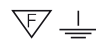
Cable length: 250 cm

Light source: 2 x Strip LED 7.7W 2700K 570Lm



## BAI T CHANDELIER II

117000640976 amber diffuser  
117000640977 grey diffuser  
117000640978 transparent diffuser

CE  IP-20

 4.3 kg  
 6.8 kg

# BAI T CHANDELIER III

by Neri&Hu, 2014

Suspension lamp. Structure and canopy in bronze electroplated steel. Diffuser in blown transparent, amber and grey glass. Strip led column and dimmable driver included.

Type: Suspension lamp

Environment: Indoor

Structure: Steel

Diffuser: Glass

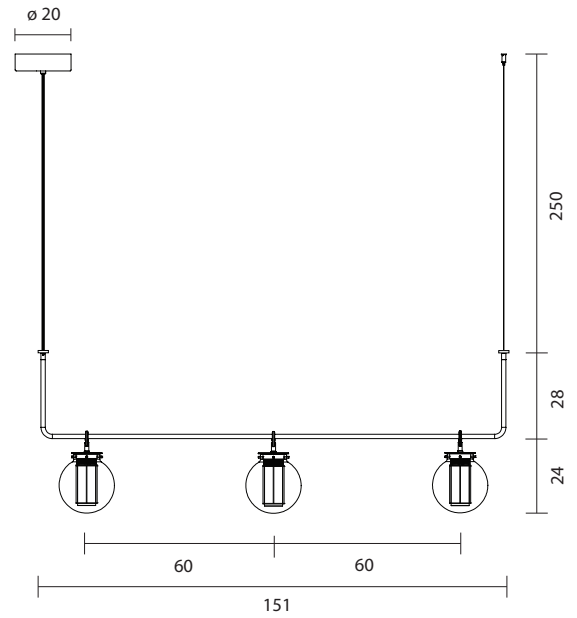
Voltage: 230 V

Supply: Terminal strip

Dimmable driver included


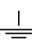
Cable length: 250 cm

Light source: 3 x Strip LED 7.7W 2700K 570Lm



## BAI T CHANDELIER III

118000640976 **amber diffuser**  
118000640977 **grey diffuser**  
118000640978 **transparent diffuser**

CE   IP-20

 **5.3 kg**  
**8.9 kg**