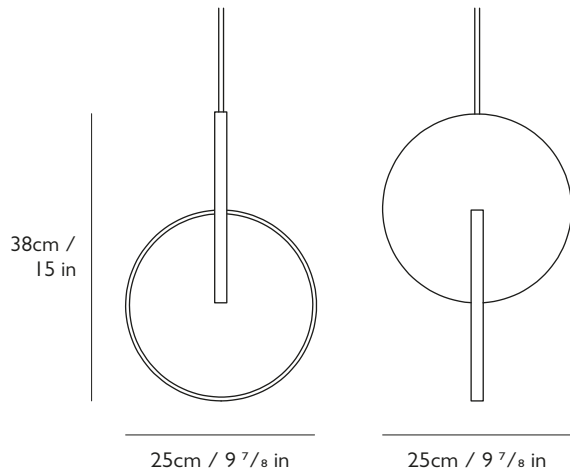


LEE BROOM

ECLIPSE PENDANT LIGHT



PLEASE NOTE

Please allow for 10.9cm x 4cm x 2.2cm
(4 1/4 in x 1 5/8 in x 7/8 in) in ceiling cavity to fit LED driver.

PRODUCT DETAILS

Name

Eclipse Pendant Light

Finish & Product Code

	110-130V	220-240V
Polished Chrome	● ECL0110	ECL0010
Polished Gold	● ECL0111	ECL0011

Materials

Opal acrylic, steel

Illumination 110-130V

3.5W, 2700k, 466 lumen, 110-130vAC Input / 24vDC Output,
Supplied with separate LED driver, CRI 90

Illumination 220-240V

3.5W, 2700k, 466 lumen, 220-240vAC Input / 24vDC Output,
Supplied with separate LED driver, CRI 90

Dimming

Dimmable. TRIAC / Leading edge / Trailing edge

Certification

UL, cUL (110-130V)
CE, CB (220-240V)



Year of Design

2018

Dimensions

H 38cm x W 25cm x D 25cm / H 15 in x W 9 7/8 in x D 9 7/8 in

Suspension

Length: 500cm / 196 7/8 in

Adjustable cord and steel cable

Transparent casing

Ceiling plate / Canopy

H 3cm x Dia 12cm / H 1 1/8 in x Dia 4 3/4 in

Round steel in matching finish

Weight

Product (net): 2.96 kg / 6.5 lbs

Boxed (gross): 4.07 kg / 8.97 lbs



For more information please contact:

US & Canada Inquiries: +1 212 804 8477 - sales@leebroom.com

UK & Global Inquiries: +44 207 820 0742 - 95 Rivington Street, London, EC2A 3AY - info@leebroom.com

www.leebroom.com

I221 rev07