



large



medium



small

wall & ceiling

DEW DROPS

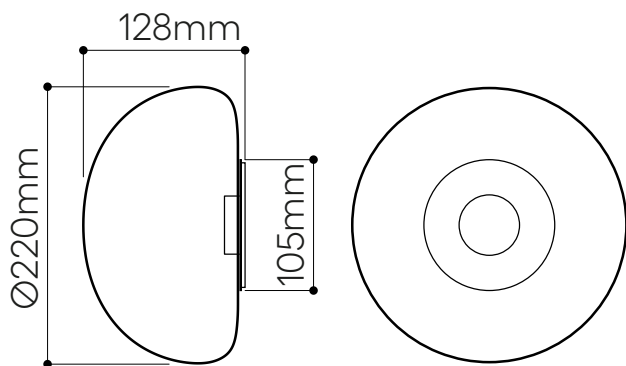
wall & ceiling large

Design by
Boris Klimek

Handmade glass attributes

All Bomma products are hand-made from mouth-blown lead-free crystal. Therefore any small bubbles, non-melts and irregularities in the glass are both proof and a characteristic feature of this traditional craft.

The intensity and color shade of the iridescent metal-coating may vary slightly from product to product. Small dots in the coating, especially visible after the light is on, are not a defect of the product.



LIGHTING DESCRIPTION

Size	dia 220 mm, H 128 mm dia 8,6 inch, H 5,03 mm
Weight	+ - 1 kg / 2,2 lb
Glass	mouth-blown lead-free crystal with iridescent metal coating
Mounting	silver mirror
Protection	IP 20
Nominal voltage	Vtyp 34 V DC, I _{max} 250 mA 30-42 V / A.C. 60 Hz (USA)
Class	II. EU / I. USA

LIGHT SOURCE

Type	LED MCOB, 6 W (+5%), 250 mA, 450 lm
Voltage	Vtyp 30-42V DC, I _{max} 250 mA A.C. 50-60 hz EU, US
Temperature	2700 K
Color index	RA 90+
Dimming	Dimmable with TRIAC, ELV, 0-10V, PUSH, DALI

PACKAGING

Material	Cardboard
Size	330 x 330 x 225 mm 13 x 13 x 8,8 inch

Origin: traditionally produced in the Czech Republic
Intellectual property license holder: Bomma Czech Republic (EU)
Represented by BMRC group s.r.o.

CERTIFICATES



bomma

DEW DROPS

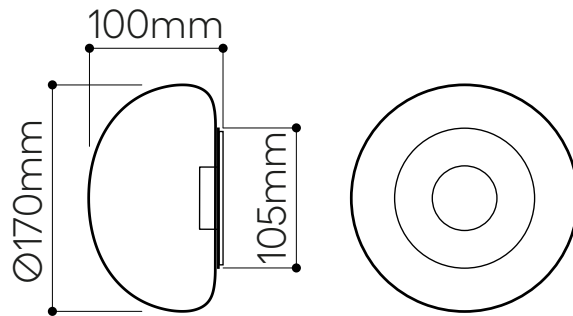
wall & ceiling medium

Design by
Boris Klimek

Handmade glass attributes

All Bomma products are hand-made from mouth-blown lead-free crystal. Therefore any small bubbles, non-melts and irregularities in the glass are both proof and a characteristic feature of this traditional craft.

The intensity and color shade of the iridescent metal-coating may vary slightly from product to product. Small dots in the coating, especially visible after the light is on, are not a defect of the product.



LIGHTING DESCRIPTION

Size	dia 170 mm, H 100 mm dia 6,69 inch, H 3,93 mm
Weight	+ - 0,7 kg / 1,54 lb
Glass	mouth-blown lead-free crystal with iridescent metal coating
Mounting	silver mirror
Protection	IP 20
Nominal voltage	Vtyp 34 V DC, I _{max} 250 mA 30-42 V / A.C. 60 Hz (USA)
Class	II. EU / I. USA

LIGHT SOURCE

Type	LED MCOB, 6 W (+-5%), 250 mA, 450 lm
Voltage	V _{typ} 30-42V DC, I _{max} 250 mA A.C. 50-60 hz EU, US
Temperature	2700 K
Color index	RA 90+
Dimming	Dimmable with TRIAC, ELV, 0-10V, PUSH, DALI

PACKAGING

Material	Cardboard
Size	230 x 220 x 220 mm 9 x 8,6 x 8,6 inch

Origin: traditionally produced in the Czech Republic
Intellectual property license holder: Bomma Czech Republic (EU)
Represented by BMRC group s.r.o.

CERTIFICATES



bomma

DEW DROPS

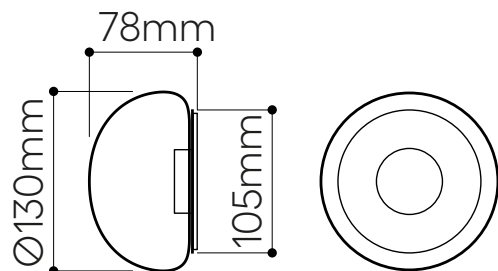
wall & ceiling small

Design by
Boris Klimek

Handmade glass attributes

All Bomma products are hand-made from mouth-blown lead-free crystal. Therefore any small bubbles, non-melts and irregularities in the glass are both proof and a characteristic feature of this traditional craft.

The intensity and color shade of the iridescent metal-coating may vary slightly from product to product. Small dots in the coating, especially visible after the light is on, are not a defect of the product.



LIGHTING DESCRIPTION

Size	dia 130 mm, H 78 mm dia 5,11 inch, H 3,07 mm
Weight	+ - 0,6 kg / 1,32 lb
Glass	mouth-blown lead-free crystal with iridescent metal coating
Mounting	silver mirror
Protection	IP 20
Nominal voltage	V _{typ} 34 V DC, I _{max} 250 mA 30-42 V / A.C. 60 Hz (USA)
Class	II. EU / I. USA

LIGHT SOURCE

Type	LED MCOB, 6 W (+-5%), 250 mA, 450 lm
Voltage	V _{typ} 30-42V DC, I _{max} 250 mA A.C. 50-60 hz EU, US
Temperature	2700 K
Color index	RA 90+
Dimming	Dimmable with TRIAC, ELV, 0-10V, PUSH, DALI

PACKAGING

Material	Cardboard
Size	185 x 165 x 165 mm 7,3 x 6,5 x 6,5 inch

Origin: traditionally produced in the Czech Republic
Intellectual property license holder: Bomma Czech Republic (EU)
Represented by BMRC group s.r.o.

CERTIFICATES



bomma