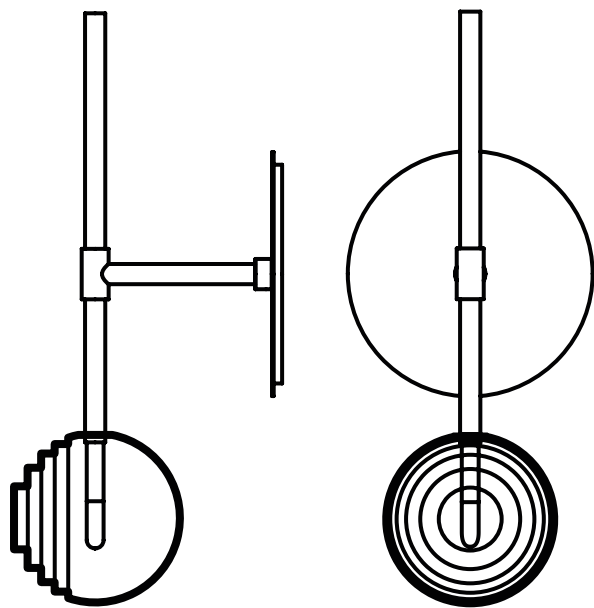


dark & bright star

Design by Dechem Studio



loomma

bomma.cz

TECHNICAL SHEET
FOR WALL LIGHT FIXTURES

DARK & BRIGHT STAR

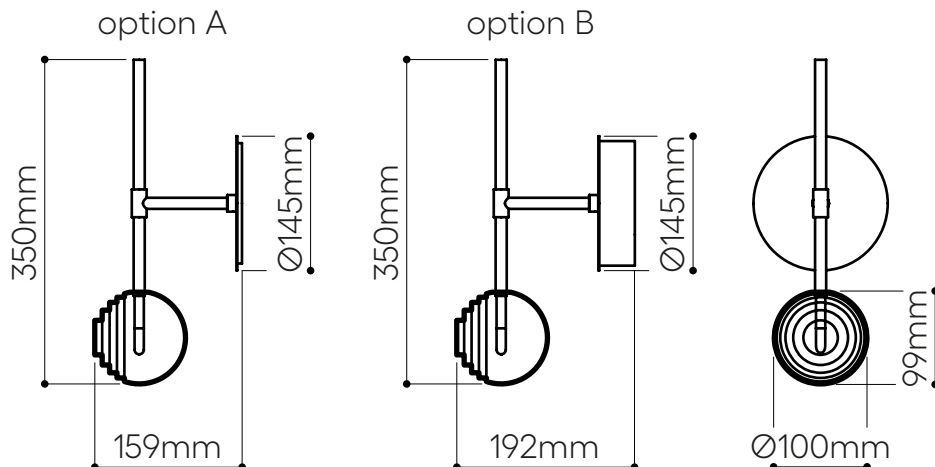
wall

Design by
Dechem Studio

Handmade glass attributes

All Bomma products are hand-made from mouth-blown lead-free crystal. Therefore any small bubbles and/or irregularities in the glass are both a proof and a characteristic feature of this traditional craft.

The Dark and Bright Star Collection is produced in two colors, simply referred to as dark and bright. The bright version is clear glass with an opaque sanded finish, the dark version is made of fully-colored glass. Thanks to the manual process of blowing, each piece is an original. Individual products may vary slightly in hue or color intensity.



LIGHTING DESCRIPTION

Size	100 × 159 (192) × 350 mm 3,94 × 6,26 (7,6) × 13,78 inch
Weight	+/- 1,7 kg / 3,75 lb
Glass	mouth-blown lead-free crystal in dark and bright
Mounting	brushed gold (brushed brass)
Recommended junction box	EU - A.UK1-SH (72mm dia, 60mm min. depth) UL/The Americas - electrical box, Octagon, 4 X 4 inch (1,4 inch min. depth)
Protection	IP 20
Nominal voltage	220-240V A.C. 50 hz (EU) 110-120 V A.C. 60 Hz (USA)
Class	II. EU / I. USA

LIGHT SOURCE

Type	G4, 1,2W LED, 100 lm
Base	G4 (EU) / G4 (USA)
Voltage	12VDC, 100mA
Temperature	2700 K
Color index	RA 90+

Dimming
EU/Other versions - non-dimmable
UL/The Americas - TRIAC, ELV
Single pendant is non-dimmable except UL

TRANSFORMER

Primary circuit	100-240V, 50/60 Hz
Dimmer circuit	12VDC, +/-0,5A, 5W

PACKAGING

Material	Cardboard
Size	220 × 220 × 250 mm 8,6 × 8,6 × 9,8 inch

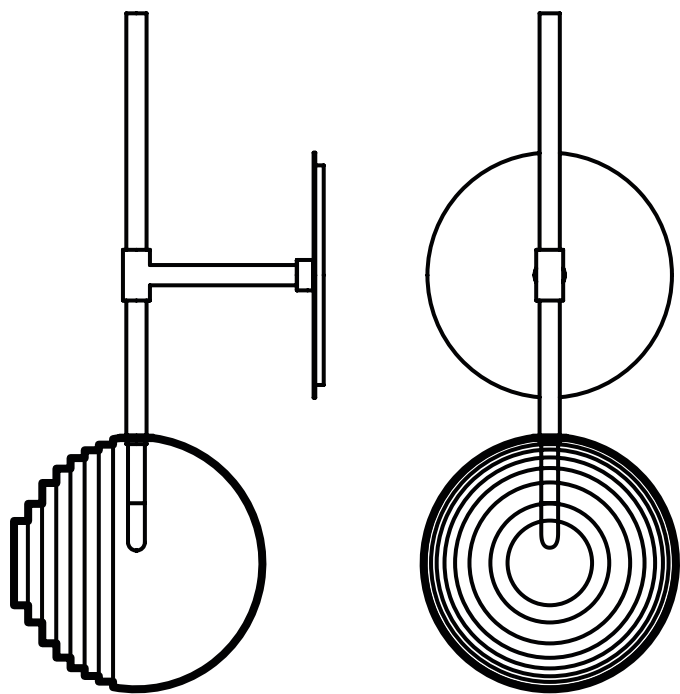
Origin: traditionally produced in the Czech Republic
Intellectual property license holder: Bomma Czech Republic (EU)
Represented by BMRC group s.r.o.

CERTIFICATES



dark & bright star

Design by Dechem Studio



loomma

bomma.cz

TECHNICAL SHEET
FOR WALL LIGHT FIXTURES

DARK & BRIGHT STAR

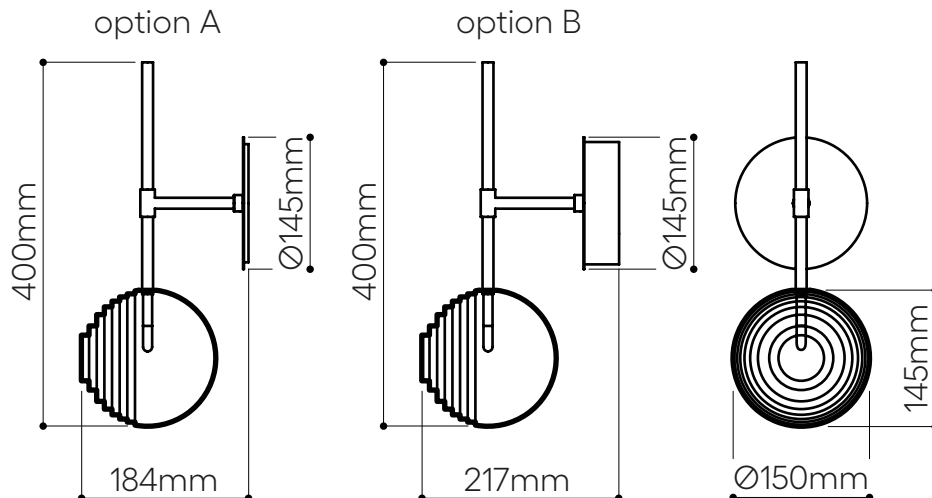
wall large

Design by
Dechem Studio

Handmade glass attributes

All Bomma products are hand-made from mouth-blown lead-free crystal. Therefore any small bubbles and/or irregularities in the glass are both a proof and a characteristic feature of this traditional craft.

The Dark and Bright Star Collection is produced in two colors, simply referred to as dark and bright. The bright version is clear glass with an opaque sanded finish, the dark version is made of fully-colored glass. Thanks to the manual process of blowing, each piece is an original. Individual products may vary slightly in hue or color intensity.



LIGHTING DESCRIPTION

Size	150 × 184 (217) × 400 mm 5,9 × 7,24 (8,5) × 15,75 inch
Weight	+/- 2,5 kg / 5,5 lb
Glass	mouth-blown lead-free crystal in dark and bright
Mounting	brushed gold (brushed brass) anthracite (brass and galvanized black nickel)
Recommended junction box	EU - A.UK1-SH (72mm dia, 60mm min. depth) UL/The Americas - electrical box, Octagon, 4 X 4 inch (1,4 inch min. depth)
Protection	IP 20
Nominal voltage	220-240V A.C. 50 hz (EU) 110-120 V A.C. 60 Hz (USA)
Class	II. EU / I. USA

LIGHT SOURCE

Type	G4, 1,2W LED, 100 lm
Base	G4 (EU) / G4 (USA)
Voltage	12VDC, 100mA
Temperature	2700 K
Color index	RA 90+
Dimming	EU/Other versions - non-dimmable UL/The Americas - TRIAC, ELV

TRANSFORMER

Primary	100-240V, 50/60 Hz
Dimmer	12VDC, +/-0,5A, 5W

PACKAGING

Material	Cardboard
Size	220 × 220 × 250 mm 8,6 × 8,6 × 9,8 inch

Origin: traditionally produced in the Czech Republic
Intellectual property license holder: Bomma Czech Republic (EU)
Represented by BMRC group s.r.o.

CERTIFICATES



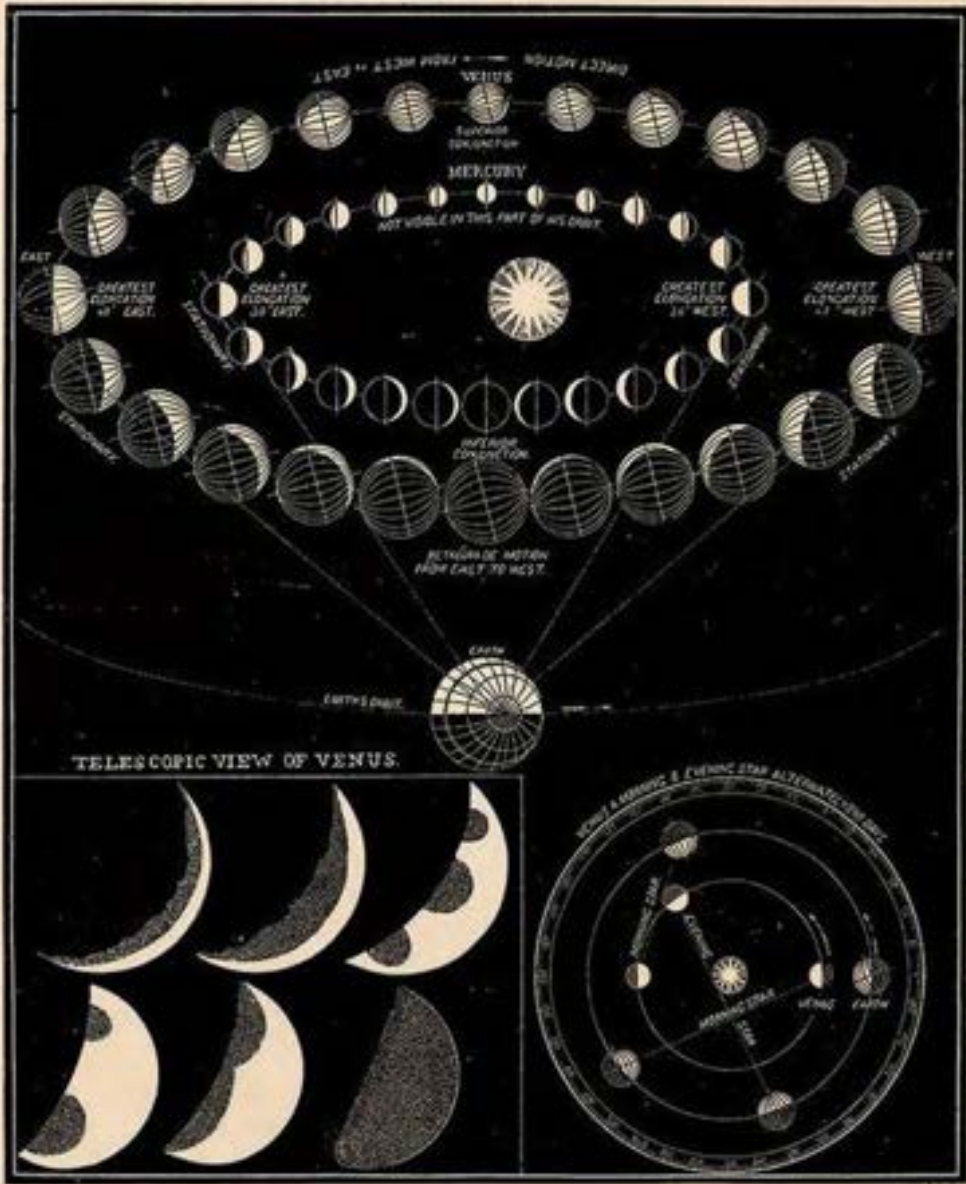


dark & bright star

loomma



inspiration



Astronomy.

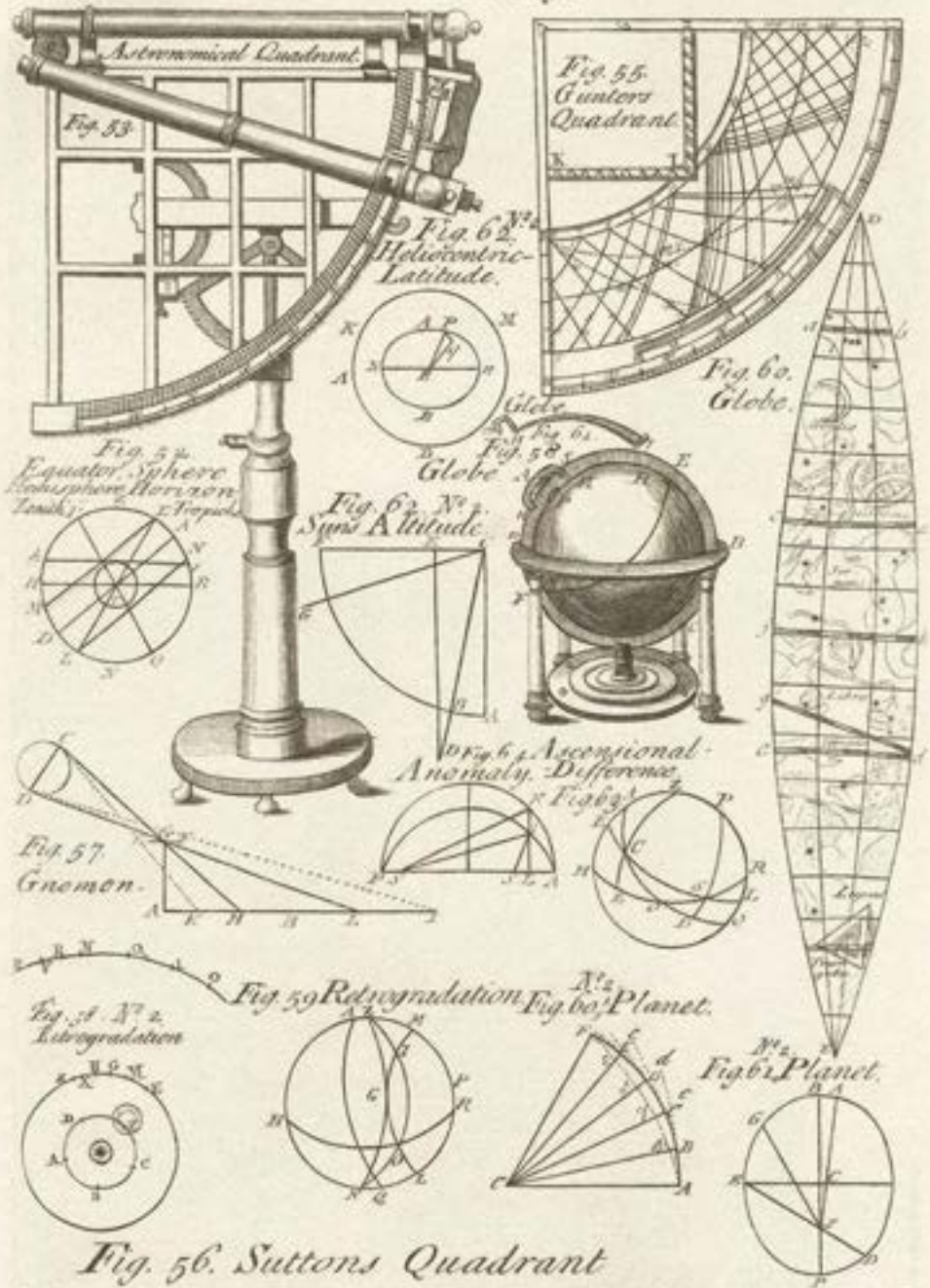
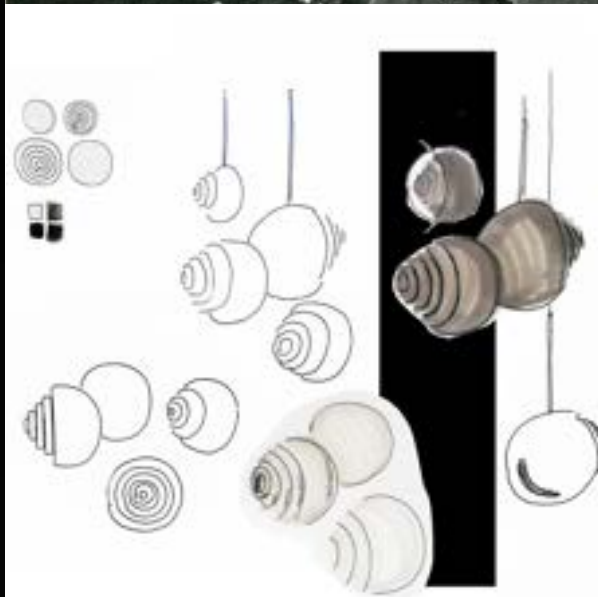
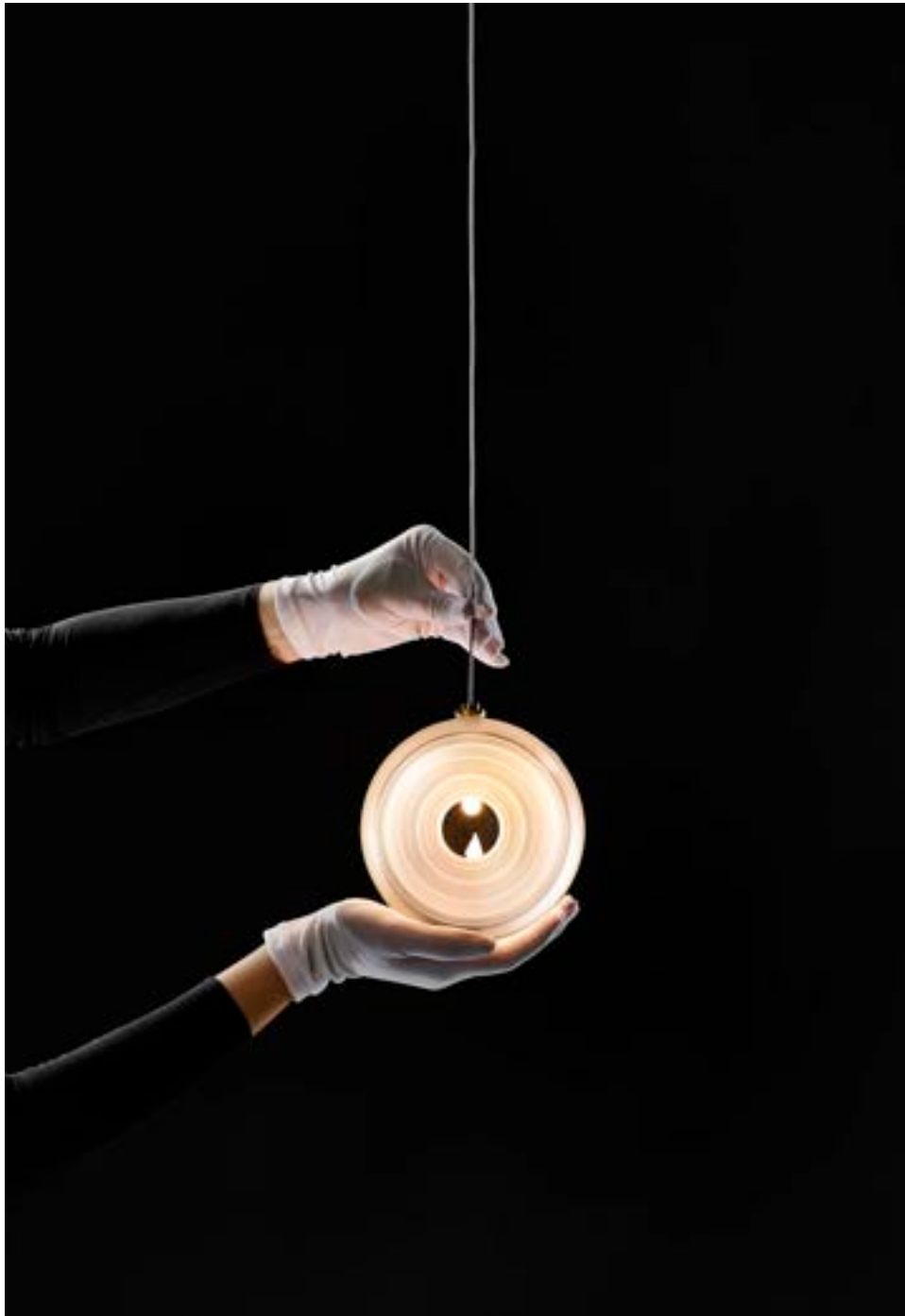


Fig. 56. Suttons Quadrant



DARK & BRIGHT STAR

The endless duel of light and darkness.

Like distant stars, these seemingly small lighted objects are powerful in both their design and craft. The light source is placed within a mouth-blown piece, the shining center of a precisely cut crystal star. Unique as a solitaire and even stronger in constellations.

Design by Dechem Studio

production







projects



BOMMA catalogue, 2021



BOMMA Atelier, Prague, 2021



Installation of 77 pcs of dark & bright stars



Private residence by Soul interiors, Poland, 2022



Installation of 60 pcs of dark & bright stars



Palermo Uno, Milan, 2018



Aufschnaiter showroom, Austria, 2020

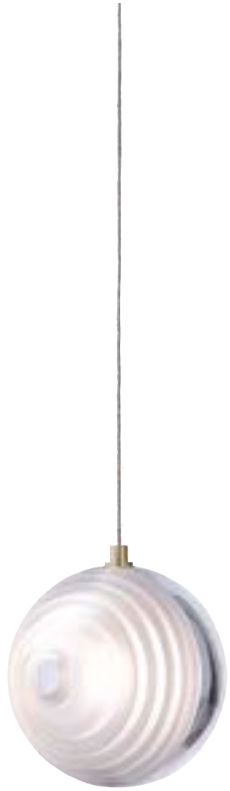


Installation of 650 pcs dark stars



Installation of 881 pcs bright stars

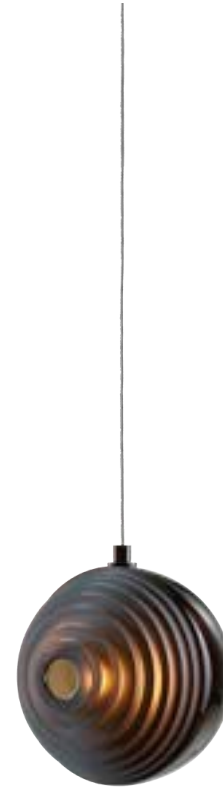
options



bright star - white
brushed gold



bright star - white
anthracite



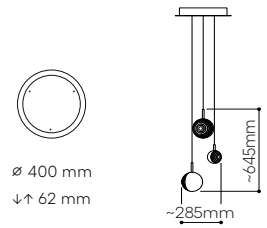
dark star - cigar
anthracite



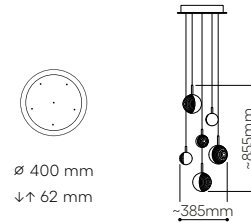
dark star - cigar
brushed gold

pendant

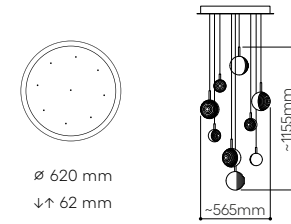
Glass options: cigar, white
Fitting options: anthracite, brushed gold



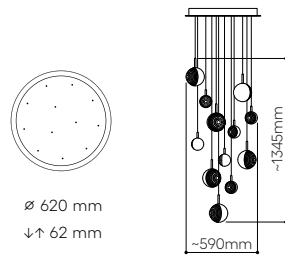
3 pendants



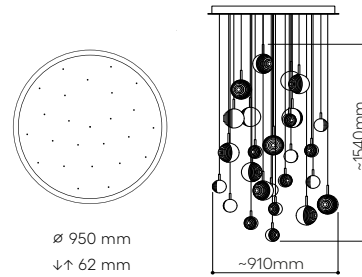
6 pendants



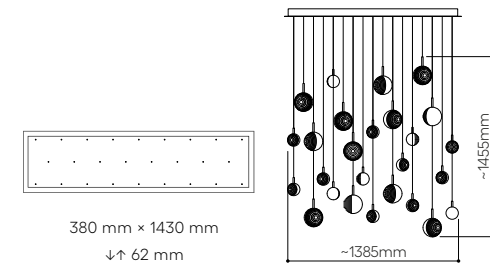
9 pendants



12 pendants



26 pendants



26 pendants
rectangular

chandeliers

technical informations

DARK & BRIGHT STAR

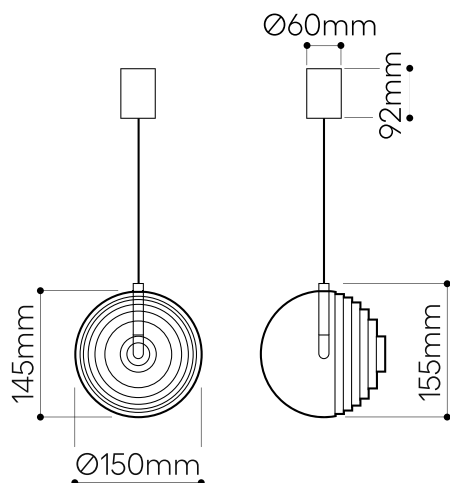
pendant large

Design by
Dechem Studio

Handmade glass attributes

All Bomma products are hand-made from mouth-blown lead-free crystal. Therefore any small bubbles and/or irregularities in the glass are both a proof and a characteristic feature of this traditional craft.

The Dark and Bright Star Collection is produced in two colors, simply referred to as dark and bright. The bright version is clear glass with an opaque sanded finish, the dark version is made of fully-colored glass. Thanks to the manual process of blowing, each piece is an original. Individual products may vary slightly in hue or color intensity.



LIGHTING DESCRIPTION

Size	dia. 150 mm, H 155 mm dia. 5,9 inch, H 6,1 inch
Cable	transparent 2,5 m / 98,4 inch
Weight	+ - 1,5 kg / 3,3 lb
Glass	mouth-blown lead-free crystal in dark and bright
Mounting	brushed gold (brushed brass) anthracite (brass and galvanized black nickel)
Protection	IP 20
Nominal voltage	220-240V A.C. 50 hz (EU) 110-120 V A.C. 60 Hz (USA)
Class	III. EU / I. USA

LIGHT SOURCE

Type	G4, 1,2W LED, 100 lm
Base	G4 (EU) / G4 (USA)
Voltage	12V, AC
Temperature	2700 K
Color index	RA 90+
Dimming	Dimmable in constellations. Single pendant is non-dimmable except UL

TRANSFORMER

Primary	100-240V, 50/60 Hz, 0,04A
Dimmer	DC 700mA (0,5V-4V) 1x3W

PACKAGING

Material	Cardboard
Size	230 x 220 x 220 mm 9 x 8,6 x 8,6 inch

Origin: traditionally produced in the Czech Republic
Intellectual property license holder: Bomma Czech Republic (EU)
Represented by BMRC group s.r.o.

CERTIFICATES



bomma

DARK & BRIGHT STAR

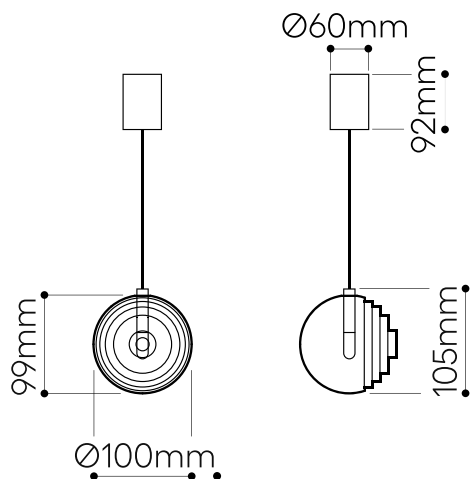
pendant small

Design by
Dechem Studio

Handmade glass attributes

All Bomma products are hand-made from mouth-blown lead-free crystal. Therefore any small bubbles and/or irregularities in the glass are both a proof and a characteristic feature of this traditional craft.

The Dark and Bright Star Collection is produced in two colors, simply referred to as dark and bright. The bright version is clear glass with an opaque sanded finish, the dark version is made of fully-colored glass. Thanks to the manual process of blowing, each piece is an original. Individual products may vary slightly in hue or color intensity.



LIGHTING DESCRIPTION

Size	dia. 100 mm, H 105 mm dia. 3,9 inch, H 4,1 inch
Cable	transparent 2,5 m / 98,4 inch
Weight	+/- 0,7 kg / 1,54 lb
Glass	mouth-blown lead-free crystal in dark and bright
Mounting	brushed gold (brushed brass) anthracite (brass and galvanized black nickel)
Protection	IP 20
Nominal voltage	220-240V A.C. 50 hz (EU) 110-120 V A.C. 60 Hz (USA)
Class	III. EU / I. USA

LIGHT SOURCE

Type	G4, 1,2W LED, 100 lm
Base	G4 (EU) / G4 (USA)
Voltage	12V, AC
Temperature	2700 K
Color index	RA 90+
Dimming	Dimmable in constellations. Single pendant is non-dimmable except UL

TRANSFORMER

Primary	100-240V, 50/60 Hz, 0,04A
Dimmer	DC 700mA (0,5V-4V) 1x3W

PACKAGING

Material	Cardboard
Size	185 × 165 × 165 mm 7,3 × 6,5 × 6,5 inch

Origin: traditionally produced in the Czech Republic
Intellectual property license holder: Bomma Czech Republic (EU)
Represented by BMRC group s.r.o.

CERTIFICATES



bomma

BMRC Group s.r.o.
Hvězdova 1716/2b,
Prague 4, 140 00,
Czech Republic

info@bomma.cz

step beyond