

Lámina Dorada 45

Antoni Arola. 2018
Pendant Lamp

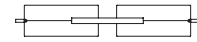


Lámina Dorada 45



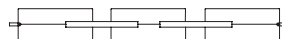
A

Sistema Lámina Dorada 45
2 modules



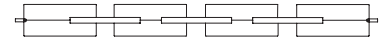
B

Sistema Lámina Dorada 45
3 modules



C

Sistema Lámina Dorada 45
4 modules



D



In its flattened and golden version, Lámina preserves the delicacy of its lines, and its play of reflections creates new concavities to the eye. A variation with totemic evocations that maintains the same luminous calm, born from the virtues of reflected light.

On its own or in repetition, its modular design allows for the creation of long, linear compositions. Every two modules share a canopy, ensuring a clean and balanced asymmetry.

General description:

Metallic flat shade with gold finish.
Black metal structure with matte finish.
Polycarbonate diffuser.
Electric cable length: 5 m / 196.9"

Approximate weight (unpacked):

(A) Lámina Dorada 45: 2,1 kg / 4.6 lb
(B) Sistema Lámina Dorada 45 - 2 modules: 4 kg / 8.8 lb
(C) Sistema Lámina Dorada 45 - 3 modules: 7 kg / 15.4 lb
(D) Sistema Lámina Dorada 45 - 4 modules: 10 kg / 22 lb

Technical information:

Dimmable light source included.
Built-in LED.

(A)
Rated input wattage: 18 W
Operating current: 700 mA
Luminous flux: 368 lm

(B)
Rated input wattage: 31 W
Operating current: 700 mA
Luminous flux: 736 lm

(C)
Rated input wattage: 49 W
Operating current: 700 mA
Luminous flux: 1104 lm

(D)
Rated input wattage: 67 W
Operating current: 700 mA
Luminous flux: 1472 lm

(A, B, C, D)
CCT: 2.700 K
CRI: 90
Lifetime: 40.000 h

European version: suitable for dimming
0-10V / DALI / PUSH. Not included external
dimmer switch 0-10V / DALI / PUSH.
American version: suitable for dimming
1-10V. Not included external dimmer switch
1-10V.

Suitable only for indoor use.
Non-replaceable light source.

Input voltage: 110 ~ 277 Vac.
(50 Hz / 60 Hz). According to destination.

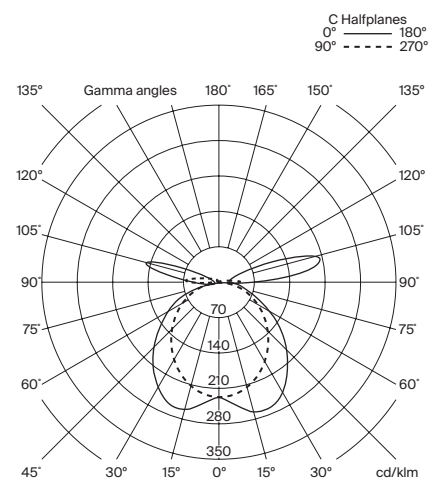


Lámina Dorada 45

Antoni Arola. 2018
Pendant Lamp

Normativas:

European version
UNE-EN 60598
UNE-EN 55015
UNE-EN 60529

American version

UL-1598
UL-8750
E-336377
Dry location only

Maintenance:

Clean with a smooth cloth. Do not use ammonia, solvents or abrasive cleaning products.

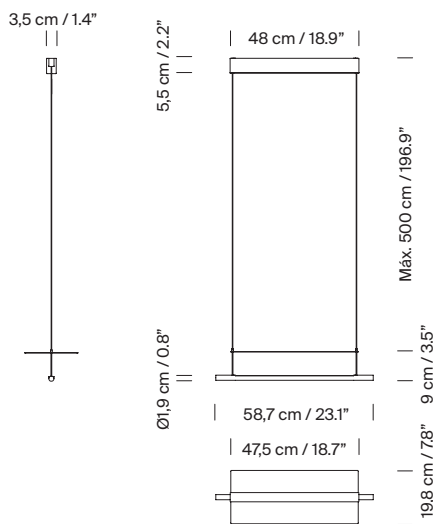
Others:

The lamp is delivered in different packages (**B, C, D**).
The assembly instructions are delivered with the product.

Models / Codes: European Version



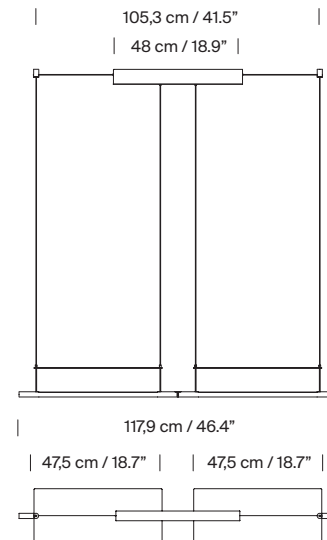
(A) Lámina Dorada 45



Code

LATPA01

(B) Sistema Lámina Dorada 45 / 2 modules

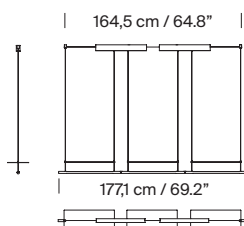


Code

LATPB01

Examples of composition

3 modules (A + B)



4 modules (2A + B)

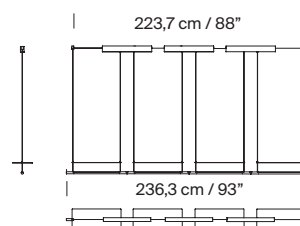


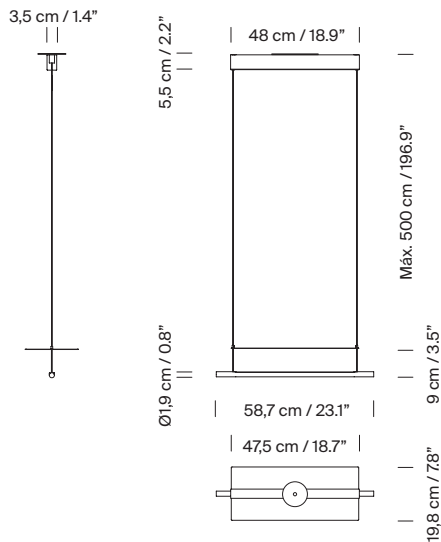
Lámina Dorada 45

Antoni Arola. 2018
Pendant Lamp



Models / Codes: American Version

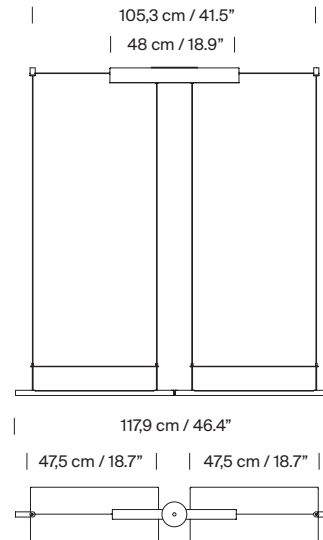
(A) Lámina Dorada 45



Code

LATPA01UL

(B) Sistema Lámina Dorada 45 / 2 modules

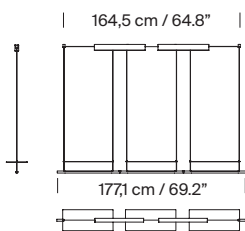


Code

LATPB01UL

Examples of composition

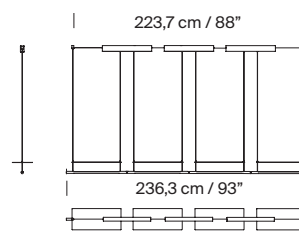
3 modules (A + B)



Code

LATPB02UL

4 modules (2A + B)



Code

LATPB03UL

Collection:

Table lamps

Floor lamps

Pendant lamps

Wall lamps



Lámina Dorada 45



Lámina Dorada 45

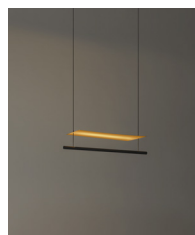


Lámina Dorada 45



Lámina Dorada 45