

Sísísí Cónicas Largas

Gabriel Ordeig Cole. 1983

Pendant lamp



SANTA & COLE



Canopies (European version)



Canopy: nickel
Cable: black



Canopy: white
Cable: white



Canopy: white
Cable: black

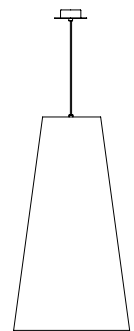


Canopy: black
Cable: black

MT2



GT4



A

B

Canopies (American version)



Canopy: nickel
Cable: black



Canopy: white
Cable: white



Canopy: white
Cable: black



Canopy: black
Cable: black



The GT4 and MT2, lamps intend that a succession of conical, stitched cardboard lampshades be used in spaces where a warm and generous vertical light projection is desired. Its family consists of the Basic and Basic Minimal table lamps.

The GT4 model was originally designed in 1983 for the Bar Sísísí, a famous Barcelona late night bar in the eighties. At a time when international trends prevailed with lamps containing tubular metal structures and halogen bulbs, Gabriel Ordeig Cole (co-founder of Santa & Cole) sought to create a warmer alternative with the use of stitched cardboard. The aesthetics put forth challenged the dominant fashion at the time, as it supported a warmer modernity that valued craftsmanship.

General description:

Beige parchment lampshade.

Circular metallic canopy satin nickel or textured white, black finished for a simple lamp socket.

Suitable for side entry adaptor.

Electric cable length: 3 m / 118.1"

(A) Junction Box adaptor included Ø 11,7 cm / 4.6" (American version).

(B) Suitable for Junction Box (American version).

Approximate weight (unpacked):

(A) 0,2 kg / 0.4 lb

(B) 0.8 kg / 1.7 lb

Technical information:

Recommended light source (not included):

LED bulb: 11 W / 1.521 lm / 2700 K

E27 - E26 / Max. hgt. 155 mm / 6.1"

Suitable only for indoor use.

Always use the light source recommended or equivalent.

Input voltaje: 100, 120, 230 Vac.

(50 Hz / 60 Hz). According to destination

Regulations:

European version

UNE-EN 60598

UNE-EN 55015

UNE-EN 60529

American version

Dry location only

UL-1598

E-353545

Sísí Cónicas Largas

Gabriel Ordeig Cole. 1983

Pendant lamp

Maintenance:

Clean with a smooth cloth. Do not use ammonia, solvents or abrasive cleaning products.

Others:

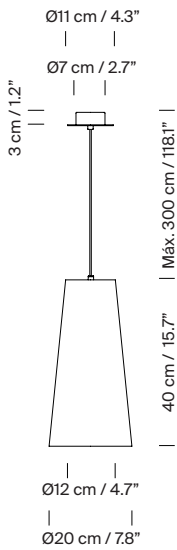
The lamp is delivered in different packages.

The assembly instructions are delivered with the product.

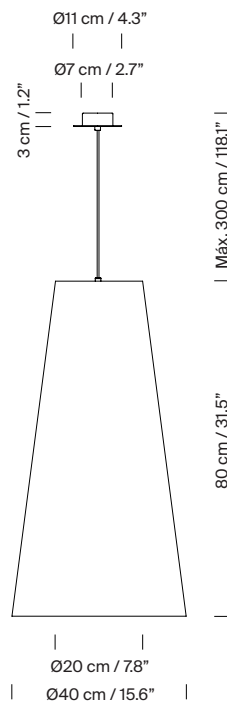
Models (European version)



Model A: MT2



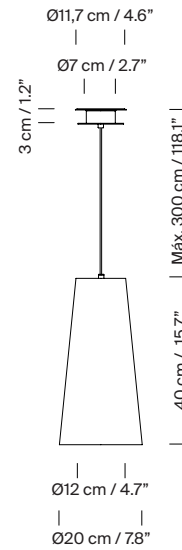
Model B: GT4



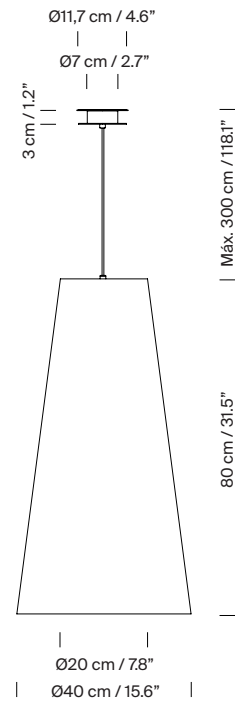
Models (American version)



Model A: MT2



Model B: GT4



Collection:

Table lamps

Pendant lamps



Básica



Sísí Cónicas Planas



Sísí Cilíndricas



Sísí Cónicas



Sísí Cónicas Largas

Sísísí Cónicas Planas

Gabriel Ordeig Cole. 1987

Pendant lamps



SANTA & COLE



Canopies (European version)



Canopy: nickel
Cable: black



Canopy: white
Cable: white

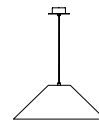


Canopy: white
Cable: black



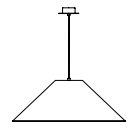
Canopy: black
Cable: black

MT4



A

MT5



B

Canopies (American version)



Canopy: nickel
Cable: black



Canopy: white
Cable: white



Canopy: white
Cable: black



Canopy: black
Cable: black

Lampshades:



Stitched beige
parchment



White parchment



The flat conical shape of the MT4 and MT5 lampshades have a familiar, archetypal silhouette. Its volume may be robust but it is light in its adaptability to the space.

Designed by Gabriel Ordeig in 1987 as a vindication of cardboard and its warm translucence, this shade is an invitation to make the most of table talks. The two options of stitched cardboard, in beige or white, allow for harmonious coexistence between object and user.

General description:

Stitched beige parchment or white parchment lampshade with lower visor to avoid glare.

Circular metallic canopy satin nickel or textured white, black finished for a simple lamp socket.

Suitable for side entry adaptor.

Electric cable length: 3 m / 118.1"

Junction Box adaptor included Ø 11,7 cm / 4.6" (American version).

Approximate weight (unpacked):

(A) Sísísí Cónicas Planas MT4: 0,5 kg / 1.1 lb

(B) Sísísí Cónicas Planas MT5: 0,7 kg / 1.5 lb

Technical information:

Recommended light source (not included):

(A) LED bulb: 4,8 W / 470 lm / 2700 K
E27 - E26 / Max. hgt. 105 mm / 4.1"

(B) LED bulb: 11 W / 1.521 lm / 2700 K
E27 - E26 / Max. hgt. 155 mm / 6.1"

(A, B)

Suitable only for indoor use.

Always use the light source recommended or equivalent.

Input voltage: 110, 120, 130 Vac.

(50 Hz / 60 Hz). According to destination.

Regulations:

European version

UNE-EN 60598

UNE-EN 55015

UNE-EN 60529

American version

Dry location only

UL-1598

E-336377

Sísísí Cónicas Planas

Gabriel Ordeig Cole. 1987

Pendant lamps



SANTA & COLE

Maintenance:

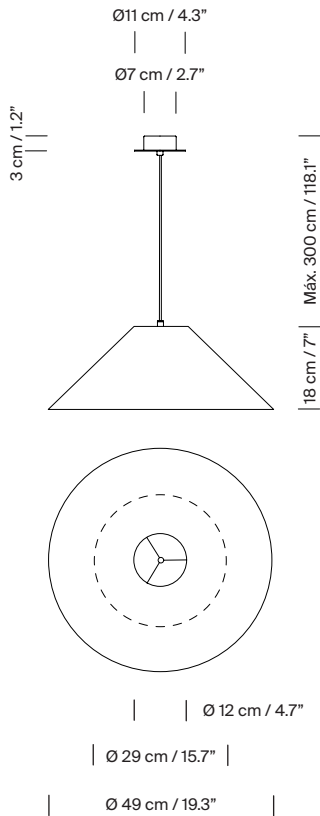
Clean with a smooth cloth. Do not use ammonia, solvents or abrasive cleaning products.

Others:

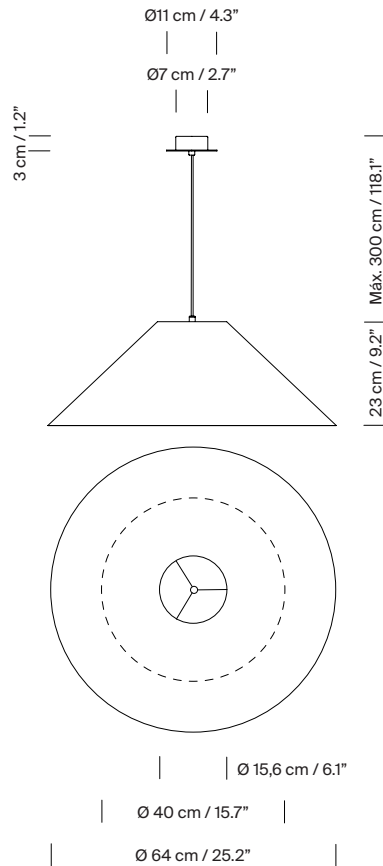
The lamp is delivered in one package.

The assembly instructions are delivered with the product.

Model A: Sísísí Cónicas Planas MT4 (European version)



Model B: Sísísí Cónicas Planas MT5 (European version)



CE

Sísísí Cónicas Planas

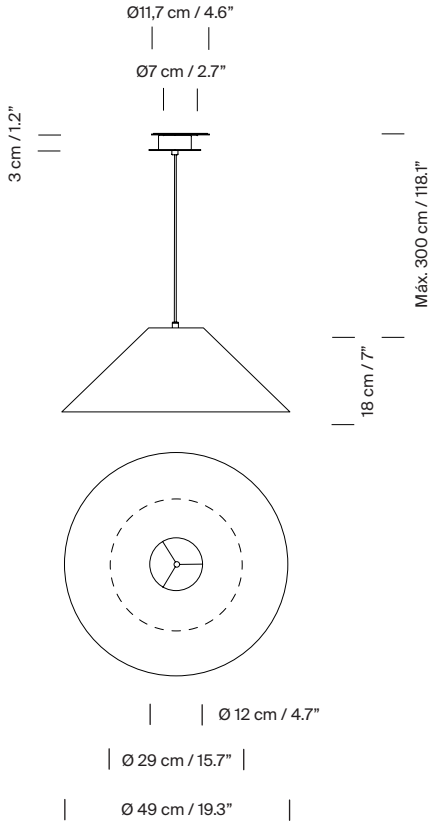
Gabriel Ordeig Cole. 1987

Pendant lamps

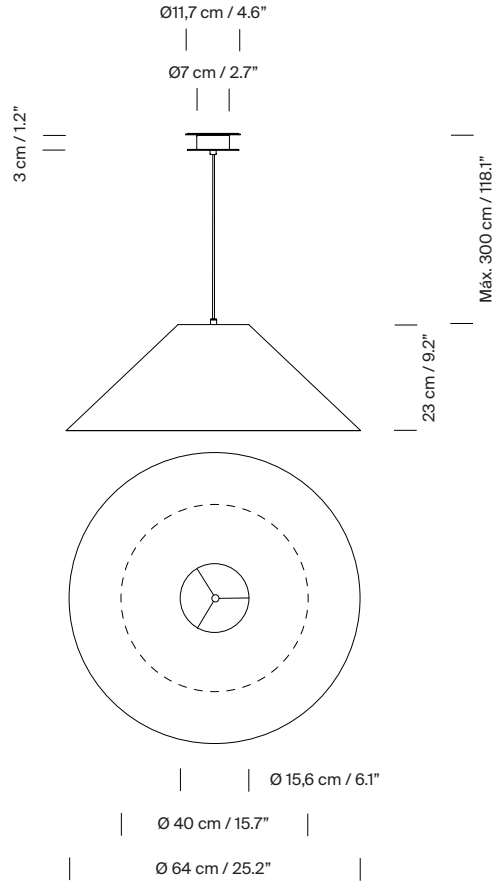


SANTA & COLE

Model A: Sísísí Cónicas Planas MT4 (American version)



Model B: Sísísí Cónicas Planas MT5 (American version)



Collection:

Table lamps

Pendant lamps



Básica



Sísísí Cónicas Planas



Sísísí Cilíndricas



Sísísí Cónicas



Sísísí Cónicas Largas